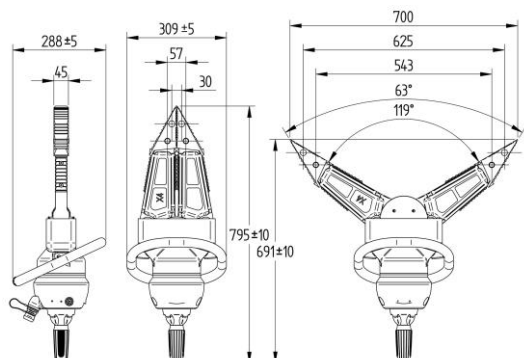


TECHNICAL SPECIFICATIONS

SPREADER X4



SPREADER X4

NEO1



HP/FF



Nominal pressure	UltimatePressure™ 350 Bar	UltimatePressure™ 350 Bar
Tailhose safety factor	-	8:1 (2800 bar)
Dimensions (L x W x H)	795 x 309 x 288 mm	795 x 309 x 288 mm
Operational weight	20.5 kg	20.9 kg
Max. spreading opening	700 mm	700 mm
Max. spreading force at base of arm plate	1010 kN / 103 ton	1010 kN / 103 ton
Spreading force at base of jaw	61.0 up to 211 kN / 6.2 up to 21.5 ton	61.0 up to 211 kN / 6.2 up to 21.5 ton
Spreading force 25 mm from tips	38.4 up to 58.4 kN / 4 up to 6 ton	38.4 up to 58.4 kN / 4 up to 6 ton
Max. pulling opening	625 mm	625 mm
Pulling force	72.9 up to 153.4 kN / 7.4 up to 15.6 ton	72.9 up to 153.4 kN / 7.4 up to 15.6 ton
EN 13204	AS38-700-21	AS38-700-21
NFPA 1936	Compliant	Compliant

ACCESSORIES

LED light add-on	9500.1000
Chain & shackle set X4 & FX Series	2305.5000
Aircraft Spreading Jaw	2150.0251
Aircraft Cutting / Peeling Jaw	2150.0261



PRESSURE™
 ULTIMATE



Information contained in this document is believed to be accurate. However RESQTEC does not guarantee the completeness or accuracy of any of the published information.



RESQTEC Zumro B.V.
 Meer en Duin 82 | 2163 HC Lisse, the Netherlands

T +31 (0)252 419002 F +31 (0)252 411794
 E info@resqtec.com W www.resqtec.com

RESQTEC®